



SIMPLY STAINLESS

Modular Sinks, Tables & Shelving



09-6-1650-DB-L



09-6-1650-DB-R

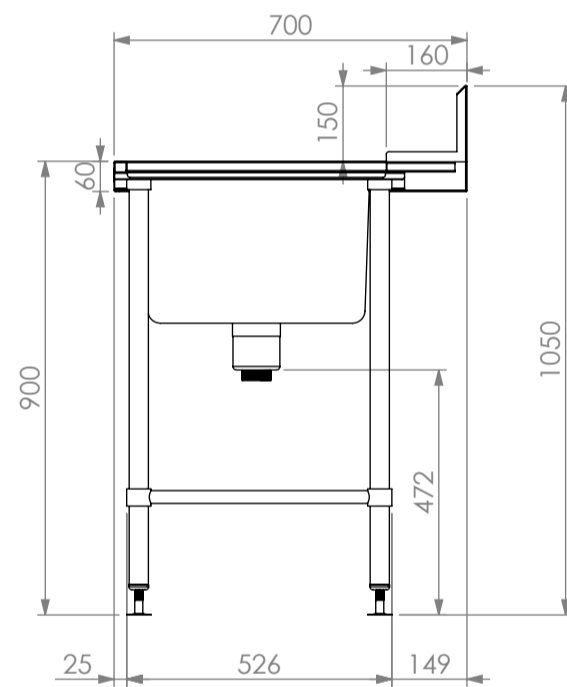


09-7-1650-DB-L



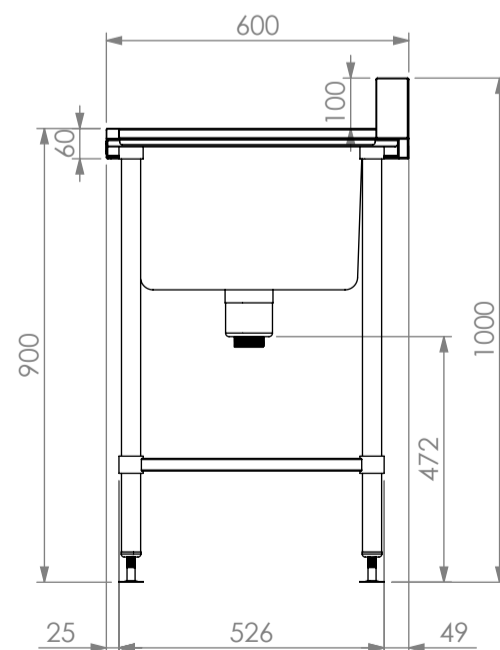
09-7-1650-DB-R

SPECIFICATION	
Tops	<ul style="list-style-type: none"> - High quality 304 grade stainless steel. - 1.2mm gauge, no. 4 Finish. - Welded bowl w/sink waste, 100mm upstand (150mm bevelled upstand on 700 series). - 20mm wet edge. - 2x 60 litre bowl (450x450x300mm). - Supplied with 2x Watermark approved 90mm waste with basket.
Core	<ul style="list-style-type: none"> - 1.2mm gauge stainless steel top hat channel. - Stainless steel collars.
Frames	<ul style="list-style-type: none"> - Ø38mm round stainless steel tube. - Satin polished. - Machined collars. - Adjustable stainless disc feet.
Potrail	<ul style="list-style-type: none"> - Stainless steel round & square tube



*700mm DEEP MODULE ELEVATION.

09	INLET SINK BENCH DOUBLE BOWL (L-Left Hand Entry, R-Right Hand Entry)				
	Product Code	Bowl	Dimensions (mm)	Unit weight (Kg)	Load capacity (Kg)
	09-6-1650-DB (L,R)	450x450x300	1650x600x900	45	90
	09-6-1800-DB (L,R)	450x450x300	1800x600x900	44	90
	09-7-1650-DB (L,R)	450x450x300	1650x700x900	47	90
	09-7-1800-DB (L,R)	450x450x300	1800x700x900	49	90



*600mm DEEP MODULE ELEVATION.

